



Simple ADA solution for moderate traffic applications

5700 SERIES

LOW ENERGY OPERATOR

CATALOG

Norton[®]

ASSA ABLOY

ASSA ABLOY, the global leader
in door opening solutions

INTRODUCTION

A reliable ADA solution for **moderate traffic applications**, the 5700 Low Energy Operator comprises Norton's heavy-duty 1601 door closer. The use of a hydraulic closer ensures quiet and consistently smooth operation, even when used manually if power is lost. The 5700 offers basic automated door functions and is designed to setup quickly, making it easy to specify and install.

FEATURES

- » Non-handed
- » Push or pull side mounting
- » Comprises heavy-duty Norton 1601 door closer
- » Operates as mechanical surface close during close cycles, when door is opened manually or if power is off
- » Spring force provides the feel of a manual door closer
- » Door can be opened manually if desired
- » Adjustable spring power
- » Backcheck valve
- » Sweep valve & latch valve
- » Unit activation options:
 - › Wall switches
 - › Radio frequency device
- » End-user on/off switch
- » Adjustable door sensitivity
- » Onboard power supply for accessories: 24VDC (1.1A)



BENEFITS

- » Basic features simplify product choice
- » Designed for quick installation, setup and adjustments
- » Hydraulic closer offers quiet and smooth operation

PATENTS

- » United States: 5,881,497, 7,316,096 and 7,484,333
- » Canada: 2,568,877

TABLE OF CONTENTS

Introduction, Features, Benefits, Patents	2
Functions, Electrical Data, Certifications, Specifications.	3
Applications	4
Parts List	5
Arm, Track Assemblies, Accessories	6
Operational Signage	7
How To Order	8



FUNCTIONS

- » Hold open options
 - › 0-30 seconds (5 seconds minimum required for ADA and ANSI/BHMA A156.19)
- » Obstruction detection
 - › Motor stops if door is obstructed during an opening
 - › Door closes under manual spring force (not to exceed 15 lbs.)
- » "Push and close"
 - › Allows the operator to skip the hold open time when it is not necessary or required
- » Overload safety shut-off
- » After two minutes of receiving a door activation signal, the inverter will time out and close the door
 - › Prevents motor/inverter damage
 - › Motor start delay for locking hardware
 - › 0-5 second delay to allow locking hardware to release first

ELECTRICAL DATA

- » Power input; 120 VAC, 60Hz
- » Relay output: SPDT
 - › Normally open/normally closed (jumper)
 - › For electric strike function

CERTIFICATIONS

- » ANSI/BHMA A156.19 certified 
- » Meets ANSI/BHMA A156.4 requirements
- » UL / cUL listed for use on fire rated doors 
- » UL10C listed for positive pressure fire test
- » Manufactured in an ISO 9001 and ISO 14001 certified facility
- » Complies with requirements for the Americans with Disabilities Act (A.D.A)

SPECIFICATIONS

Door Controls____ (interior) (exterior) swinging door(s) shall be of rack and pinion design contained within a precision cast aluminum housing. Door closing force shall be adjustable to ensure adequate closing control. Door closing speed shall be controlled by independent hydraulic adjustment valves in the sweep and latch range of the closing cycle. Door Operator shall provide conventional door closer opening forces unless the power operator motor is activated. Door Operator shall provide conventional door closing forces at all times except in the event of power outage during powered door open cycle. Door Operator opening force and speed shall be adjustable by independent electronic adjustment to ensure adequate opening control per accessibility codes. Door Operator shall have an adjustable hydraulic backcheck valve to cushion the door speed if door is opened violently. Door Operator shall have a manual adjustment to locate both full open and full closed door positions. Maximum door open shall be adjustable and capable to a maximum 180° conditions permitting. [(Door Operator shall be AUTOMATICALLY ACTIVATED, i.e., motion sensor.) (Door Operator shall be SELECTIVELY ACTIVATED by external initiating device, i.e., wall switch, etc.) (Door Operator shall be both AUTOMATICALLY ACTIVATED and SELECTIVELY ACTIVATED.)] Door operator shall have adjustable hold open time capability in range from 5 to 30 seconds. Door operator shall have input line rating of 120VAC, .6A or 240VAC, .3A. Units shall have relay contact for interfacing products having a contact rating of 30VDC at 1A or 125VAC at .5A. Unit shall have an external On/Off Switch to defeat powered opening when desired. Unit shall have an internal circuit breaker switch to interrupt input power for servicing. Unit shall be U.L. Listed for automatic closing door. Unit shall be in compliance with the requirements of the Americans With Disabilities Act (ADA), ANSI standards A117.1 and A156.19. Unit shall meet C-UL US.

ADDITIONAL DETAILED SPECIFICATIONS:

When activated, the unit shall, by means of an integral motor and chain drive, power open the door at both a speed and force that are adjustable to meet accessibility codes. The door shall be powered from a door closed position to a full door open position and remain in momentary hold open for ____seconds (adjustable 0 to 30 seconds) [(Unit shall power open door to full open position up to 180° (5710); 170° (5730), conditions permitting.) (Unit shall be capable of allowing the door to be opened manually from 0 to 180°, conditions permitting.)] Once unit reaches full hold open position, if reinitiated, unit's momentary hold open time shall restart from the initially set hold open time. If unit is initiated during the closing cycle, unit shall revert to opening cycle beginning at that door position. Obstruction detection on open shall neutralize and reverse motor action reverting motor to closed position thus allowing door to close under closer spring force only. This obstruction detection feature shall be integral to unit. During closing cycle, the unit shall close door under spring power not to exceed a closing force of 15 lbf.

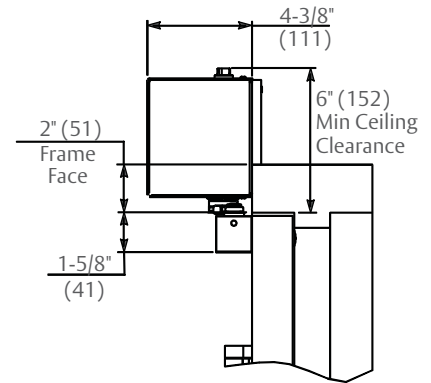
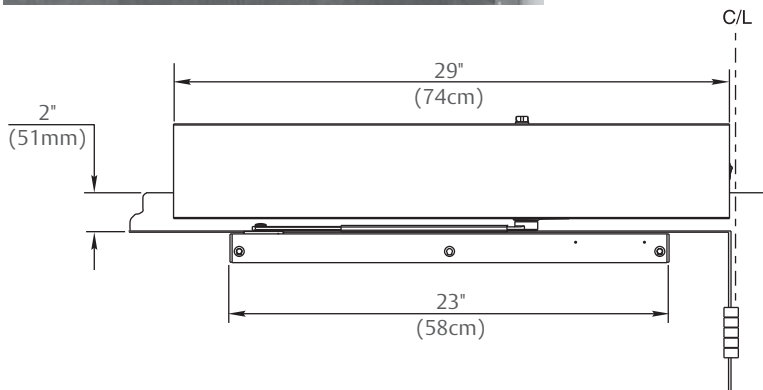
APPLICATIONS



- 5710**
HINGE (PULL) SIDE OF DOOR
- » Adjustable Stop
 - » 110° swing (trim permitting)

Minimum Door width
Single Door – 29" (74cm)
Double Door – 30" (76cm)

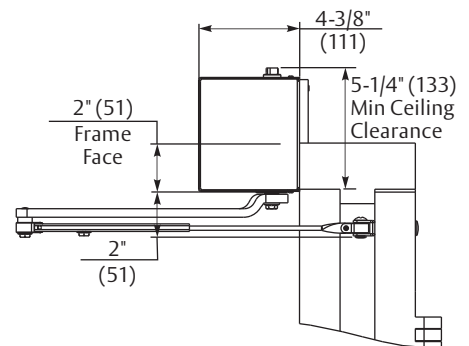
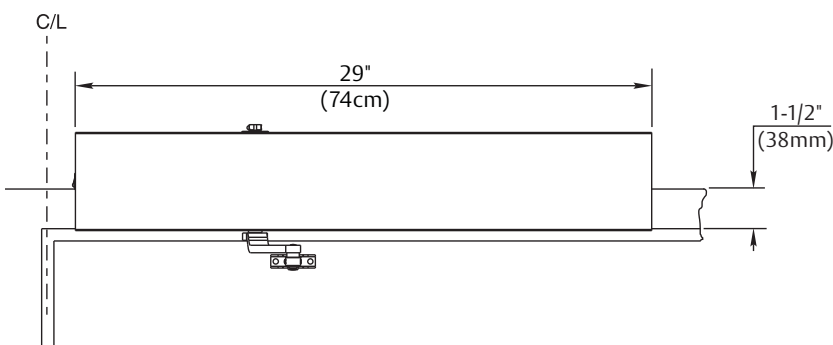
An auxiliary stop is suggested where severe conditions exist.



NOTE: Contact factory if door weight exceeds 250 lbs.



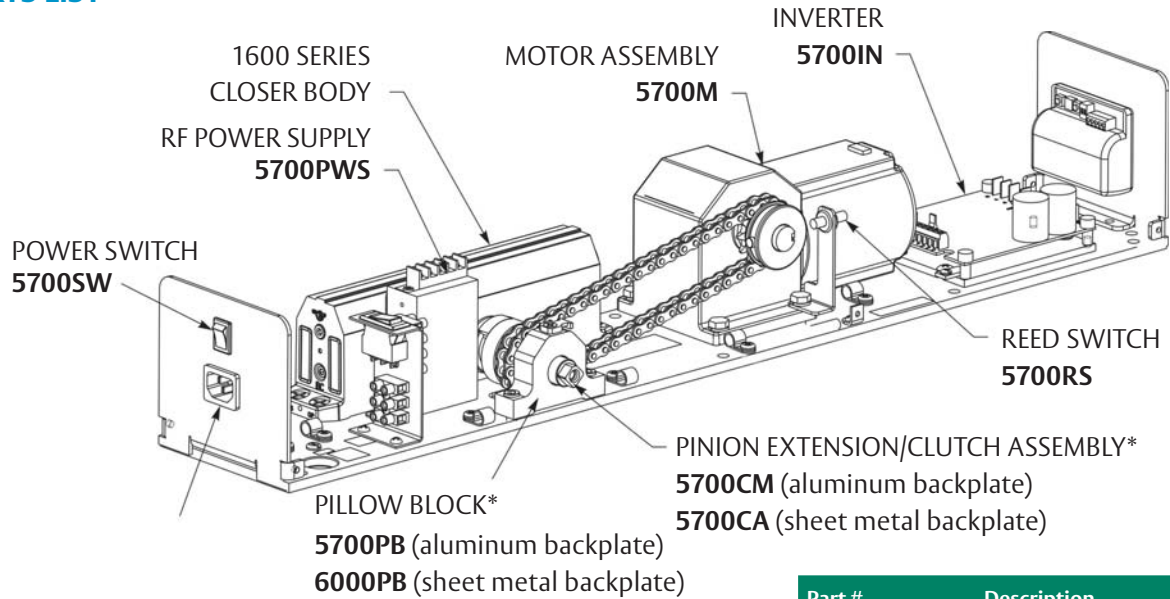
- 5730**
STOP (PUSH) SIDE OF DOOR
Standard Duty Double Lever Arm
- » Frame reveals 2-5/8" to 6-3/4" (67-171mm)
 - » An auxiliary door stop is required for these applications.
 - » 170° swing (trim permitting)



NOTE: Contact factory if door weight exceeds 250 lbs.

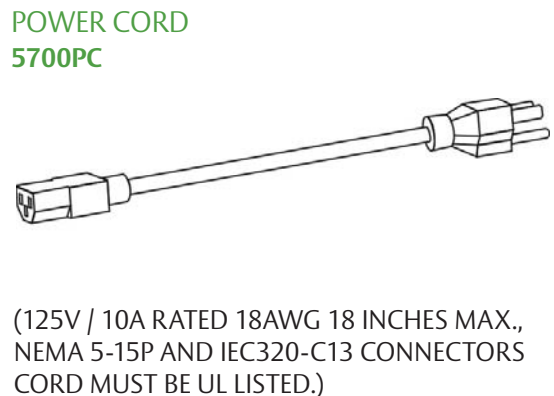
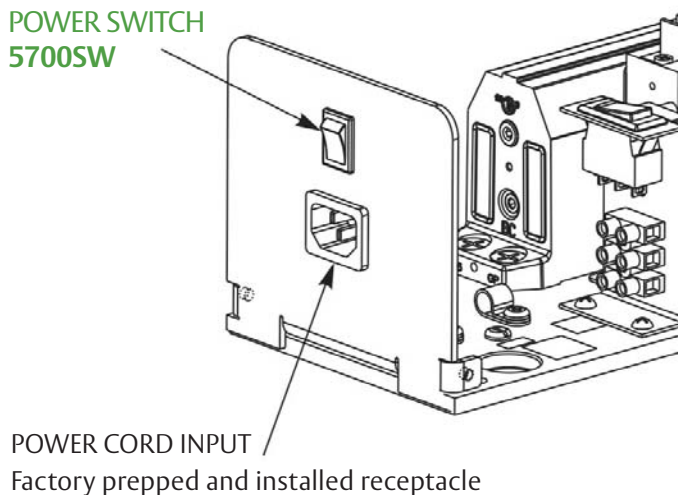
5700 SERIES
LOW ENERGY OPERATOR

PARTS LIST



* NOTE: Pinion Extension/Clutch Assembly and Pillow Block part numbers depend on the backplate shipped with your unit.

Part #	Description
5700CVR	Cover
5700C	Chain
5700DPA	Door Position Adjustment Assembly



NOTE: Consult local authority having jurisdiction to confirm use of power cord is acceptable. Operator must be furnished with the power cord from the factory. Power cords cannot be added to operators in the field. Maximum distance from operator to receptacle is 15".

ARM AND TRACK ASSEMBLIES

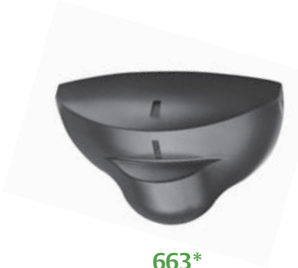


- #5710-1 - Arm and Track Assembly
- #7701ST-1A - Arm Assembly
- #7200-1T - Track Assembly



- #7701-1A - Arm Assembly
- #7701-1W - Main Arm & Rod
- #7701-11A - Adjusting Tube & Shoe

ACCESSORIES



663*

Motion Sensor

- » 4-3/4" x 3-3/16" x 2" projection
- » Unidirectional
- » Black cover
- » SPDT relay
- » Adjustable angle pattern
- » 24 VDC input
- » Must not be placed where motion of door can be sensed



501

502

Activating Door Switches

- » 4-1/2" W. x 4-1/2" H.
- » 15 amp @ 125 VAC
- » Flush mounted – hard wired
- » Fits single or 2 gang electrical box
- » **501** – Stainless steel with black letters
- » **502** – Blue powder coat with white letters
- » Specify #542 to order surface mount box for 501 or 502 switch

Switch Post

- » 4" x 6" x 40" x 3/16" wall thickness
- » 9 volt battery
- » RF temperature range: -4° F to 122° F
- » 689 (aluminum) or 690 (dark bronze) finishes; specify when ordering
- » Standard formed plastic cap
- » Surface mounted (above ground)
- » **530** – radio frequency transmitter
- » **500** – hard wired switch
- » **530POST** – post only; switch not included



500 & 530



505, 531

507, 532



506, 533

534, 535

- » 6" W. x 6" H.
- » 9 volt battery
- » 15 amp @ 125 VAC
- » Flush mounted
- » Stainless steel with blue letters
- » **531, 532, 533** and **535** radio frequency (433MHz). Used with RF option and 539. Supplied with surface mount boxes.
- » **507, 505, 506** and **534** hard wired[^]. Surface mounted boxes are not supplied. If required, specify:
 - 555** - 6" square surface mount box
 - 557** - 6" round surface mount box

* Use of motion sensor must be approved by local authority having jurisdiction.

[^] Switches may also be installed with single or double gang electrical box using fasteners included.

5700 SERIES LOW ENERGY OPERATOR

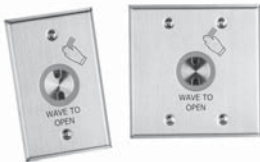
ACCESSORIES



503



504



700



638, 639

Vestibule Switches

- » 1-1/2" x 4-3/4" face plate
- » SPDT UL listed switch-mom.
- » 15 amp @ 125 VAC
- » Fits 1-3/4" frame
- » Stainless steel with blue letters

- » 5" W. x 4-3/4" H.
- » 2 – SPDT UL listed switches-mom.
- » 15 amp @ 125 VAC
- » Fits 2-gang electrical box
- » Stainless steel with blue letters

Wave-to-Open Wall Switch

- » Single gang and double gang packaged together
- » Sensor requires movement for activation
- » Variable relay – hold time from 0 – 35 seconds
- » Range 0" to 4"
- » Dimensions:
3" W x 4-3/4" H (single);
4-1/2" W x 4-1/2" H (double)

Low Profile Push Plate

- » 36" x 6" activation zone
- » 1" low profile depth
- » Stainless steel face plate
- » Adapts to either wireless or hardwired installations
- » 638 - Wireless
- » 639 - Hardwired

EXECUTIVE PACKAGE



9500EXPG

(includes receiver 539 and transmitter 536)



539

Radio Frequency Receiver 539

- » 433 MHz



536

Transmitters

- » 2-3/8" w x 4-3/16" h x 15/16" d
- » Single channel



538

- » 2-3/8" w x 4-3/16" h x 15/16" d
- » Two channel



548

- » Converts existing hard wired push plates to work with RF receivers offered after June 2013
- » Single channel
- » 9 volt

OPERATIONAL SIGNAGE

679 Signage Kit (supplied standard)



(1 per switch)



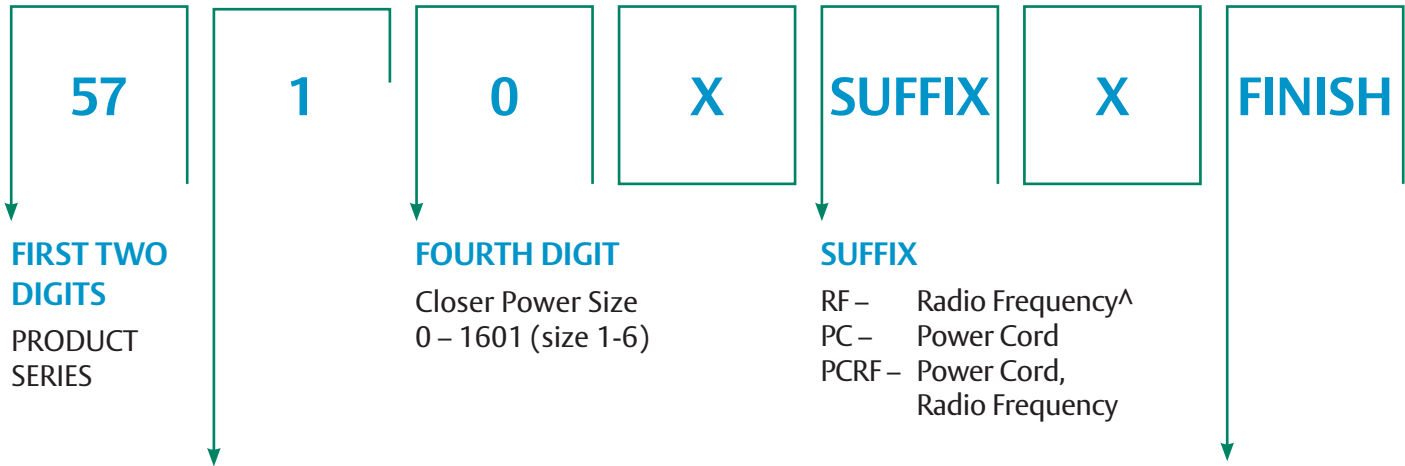
(1 per switch)



(2 per operator)

All hard wired switches are Momentary Contact SPDT, UL Listed. Optional DPDT switches are available; suffix "D" to model number.

HOW TO ORDER



THIRD DIGIT

Identifies Type of Application

HINGE (PULL) SIDE OF DOOR

1 – Rigid Arm & Slide Track
Max reveal 1/8" (3mm)

STOP (PUSH) SIDE OF DOOR

3 – Double Lever Arm
Minimum reveal: 2-5/8" (67)
Maximum reveal: 6-3/4" (171)

UNIVERSAL UNIT – PUSH OR PULL SIDE MOUNTING

4 – Includes push and pull arms. Units shipped as a Rigid Arm/Slide rack; can be converted to a Double Lever Arm in field

Description	Specify Designation (BHMA)	Complements the following finishes	Old Designation
Aluminum	689	628, 625, 629, 630, 651	AL
Statuary Bronze	690	640, 613	STAT
Dull Bronze	691	612, 637, 639	DB
Black	693	315	315
Medium Amber	694	312	312
Gold	695	605, 606, 632, 633	GB
Prime Coat	600*		SRI
Black Suede Powder	BSP	—	N/A

*600 is a special rust inhibiting prime coat. Closers can be ordered prime coat only (specify closer x 600). An additional charge applies if finish coat is required over prime coat (ex: 5710 x 600 x 689).

[^] Actuators not supplied w/ RF

NOTE: Door switches and sensors are not included with the 5700 Series Door Operators. These items must be ordered separately.

Norton®

ASSA ABLOY

ASSA ABLOY is the global leader in door opening solutions, dedicated to satisfying end-user needs for security, safety and convenience

Since 1880, Norton door controls have been an integral part of schools, hospitals and businesses around the globe. When you need products and people that perform at the highest level, rely on Norton – From Open to Close.

Norton Door Controls | www.nortondoorcontrols.com

3000 Highway 74 East | Monroe, NC 28112 | Tel: 1-877-974-2255 | Fax: 1-800-338-0965

ASSA ABLOY Door Security Solutions Canada | www.assaabloydss.ca

160 Four Valley Drive | Vaughan, Ontario, L4K 4T9 Canada | Tel: 800-461-3007 | Fax: 1-800-461-8989

Norton is a brand associated with ASSA ABLOY Accessories and Door Controls Group, Inc., an ASSA ABLOY Group company. Copyright © 2012-2018, ASSA ABLOY Accessories and Door Controls Group, Inc. All rights reserved. Reproduction in whole or in part without the express written permission of ASSA ABLOY Accessories and Door Controls Group, Inc. is prohibited.