

# 4591

## Deadlatch Paddle

The 4591 Deadlatch Paddle is an ergonomically-friendly alternative to a knob or lever handle. Operate with a simple push or pull.



### Function

An alternative to knob or lever handles. Makes opening a latched door as natural as opening an unlatched one – just push or pull in the direction in which the door swings. Compatible with any Adams Rite 4300, 4500 or 4900 Series Deadlatch, MS+1890 Deadlock/Deadlatch, or 2190/2290 Interconnected Deadbolt/ Deadlatch.

### Operation

Available in four configurations: push left, push right, pull left, and pull right. Can be reconfigured to any mode in the field. Dogging may not be utilized in pull configuration.

## Features

### Paddle

Extruded aluminum.

### Escutcheons

Zinc alloy with black finish. Secured to door stile with special binder posts that extend into the escutcheon to rigidly resist torque loads in any direction.

### Cam Plug

Furnished for use with 4300, 4500 and 4900 Series Deadlatches. Cam plug not for use with MS+1890 Deadlock/Deadlatch or 2190/2290 Interconnected Deadbolt/ Deadlatch. Secured in latch body by cylinder set screw, plug is also rigidly tied to escutcheon by hardened steel pins.

### Monitor Switches

**4591M:** Paddle without latch drive mechanism but with switch that can be wired to make or break a low voltage circuit.

**4591MA:** Paddle with latch drive mechanism, complete active paddle with switch.

**91-0914 Monitor Switch Kit:** Adds monitor switch function to 4591 Paddle for "push" version only.

### Paddle Dogging

"PUSH" version only: Turning hex key in escutcheon holds the paddle down, leaving door free-swinging. Dogging key provided.

### Standard Package

Individually boxed with mounting hardware. Units for 4300, 4500 or 4900 Series Deadlatches include cam plug.

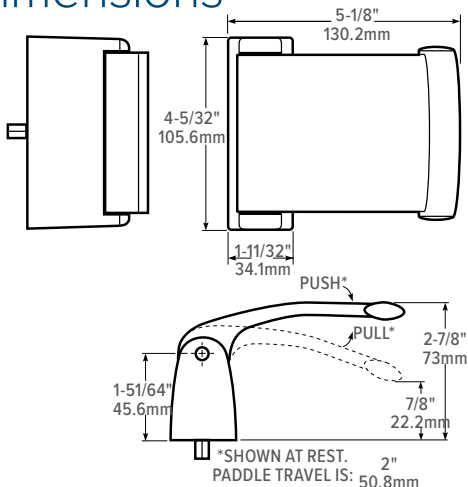
### Shipping weight

1-1/2 lb [0.68 kg].

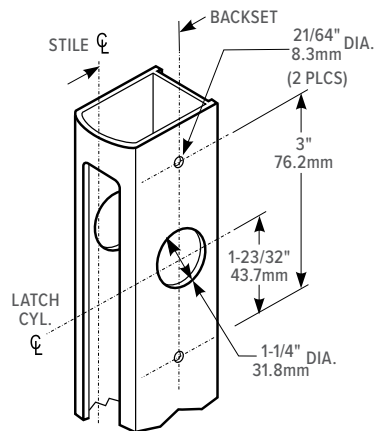
## Options

- First dash number specifies operation, handing and compatible latch. If required, use second dash number to specify non-standard units for doors thicker than 1-3/4" [44.5 mm]. Please see configuration table or contact factory for more information.
- 4591M Paddle switch to actuate magnetic lock, alarm, etc. No latch retracting mechanism.
- 4591MA Active paddle with switch and latch retracting mechanism.
- 4781 Two-Point Deadlatch uses a modified, but matching version of the 4591 Paddle.
- Available in choice of 313 Dark bronze anodized, 335 Black anodized, 628 Clear anodized, US3 (605) Bright brass, and US26D (626) Satin chrome special finishes are also available

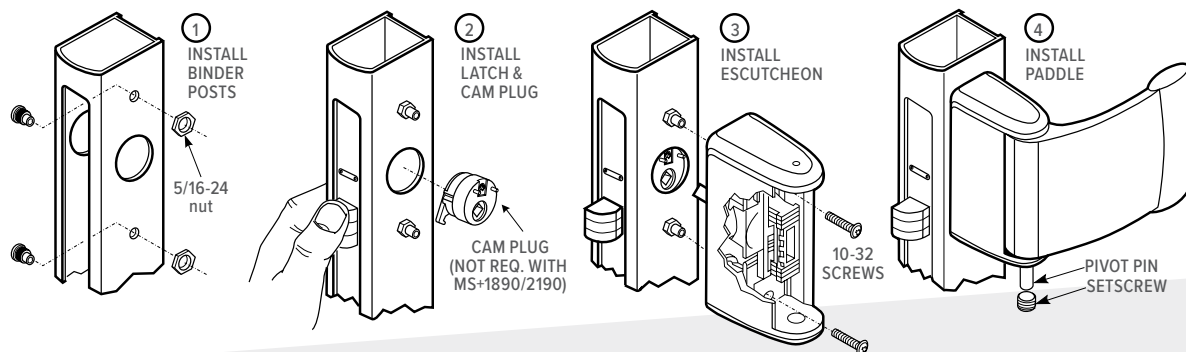
## Dimensions



## Stile Preparation



## Installation



## How to Order, Related, & Compatible Products

**4591 Deadlatch Paddle:** Specify quantity and the following information. Order related products separately.

MODEL	OPTIONS*	OPERATION			DOOR THICKNESS		FINISH**
4591	M	02			-00		-313
- Standard Paddle	<b>FIRST DASH FOR LATCH SERIES</b>	<b>OPERATION</b>	<b>USE</b>	<b>For 4300, 4500, 4900 Series Deadlatches</b>	<b>For MS+1890, 2190</b>	<b>313</b> Dark Bronze Anodized	
M Paddle w/ switch only	-01 4300/4500/4900 -11 MS+1890/2190	PULL TO LEFT		Outside of left hand reverse door or inside of right hand	00 1-3/4" 01 1-13/16" to 2"	<b>335</b> Black Anodized	
MA Active paddle w/ switch	-02 4300/4500/4900 -12 MS+1890/2190	PUSH TO LEFT		Outside of left hand door or inside of right hand reverse	02 2-1/4" to 2-1/2" 03 2-3/4" to 3"	<b>628</b> Clear Anodized	
	-03 4300/4500/4900 -13 MS+1890/2190	PULL TO RIGHT		Outside of right hand reverse door or inside or left hand	04 3-1/4"	<b>US3</b> Bright Brass	
	-04 4300/4500/4900 -14 MS+1890/2190	PUSH TO RIGHT		Outside of right hand door or inside of left hand reverse		<b>US26D</b> Satin Chrome	
	LH  -03 OR -13 -02 OR -12 RH  -01 OR -11 -04 OR -14 LHR  -01 OR -11 RHR  -03 OR -13						

\*M and MA options available on push paddles only, not pull paddles. \*\*Finish applied to paddle assembly only, not escutcheon.

**RELATED** When purchasing this product, please consider the following related products, available separately:

ACCESSORIES
91-0914 Monitor Switch Kit

### COMPATIBLE

DEADLOCKS	DEADLATCHES
MS+1890 Deadlock/Latch, 2190 Series Interconnected Deadbolt/Deadlatch	4300 Electrified Deadlatches, 4510, 4530, 4900, 4920AN Series Deadlatches.

Experience a safer and more open world



ASSA ABLOY