

# Storefront Hardware Deadbolts

## Deadbolt Mortise Lock – 185 Series

- For Aluminum Stile Doors
- Five-ply laminated steel bolt with concealed hardened steel pin provides maximum security on single leaf doors
- Cycle testing exceeds ANSI Grade 1 standards
- Steel case with corrosion resistant plating
- Accepts standard 1 5/32" (29.36 mm) Zinc or Brass threaded mortise cylinder
- Interchangeable with 451/452 Series Deadlatches

**Backsets:** 31/32" (24.59 mm), 1 1/8" (28.58 mm), 1 1/2" (38.1 mm)

**Bolt Dimension:** Straight Bolt: 5/8"W x 2 7/8"L (15.88 mm x 73.03 mm)

Hook Bolt: 5/8"W x 1 3/8"L (15.88 mm x 34.9 mm)

**Throw:** Straight Bolt: 1 3/8" (34.9 mm)

Hook Bolt: 13/16" (20.6 mm)

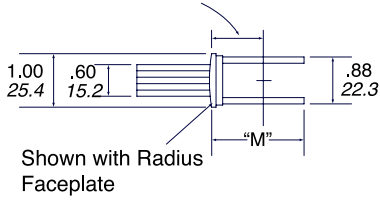


**Deadbolt**

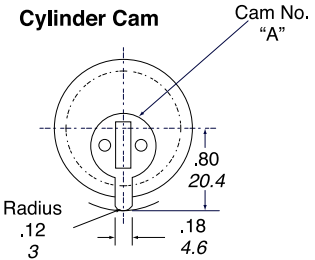
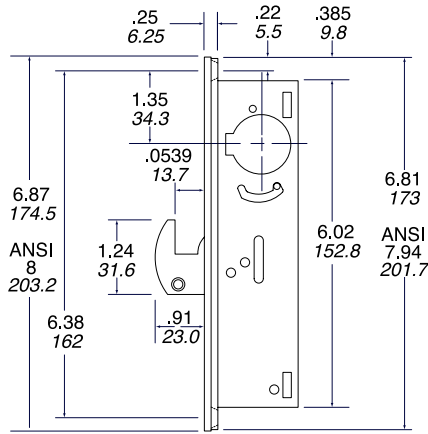
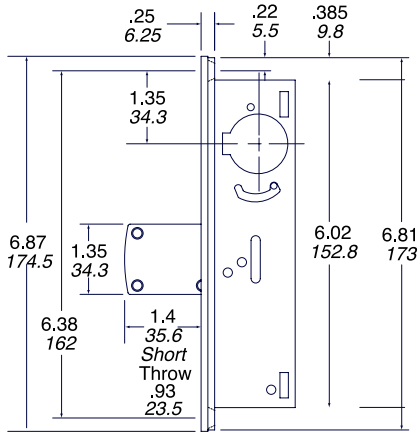


**Hookbolt**

Backset must be measured at center line of Stile Nose



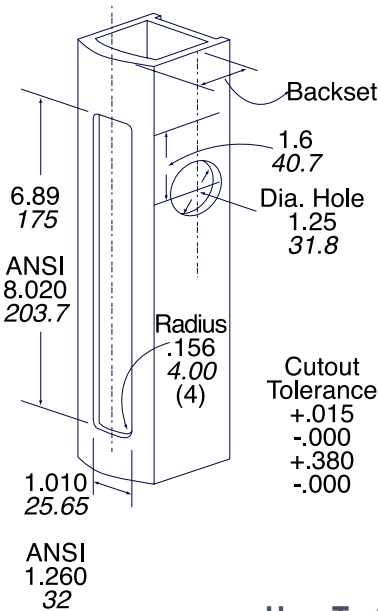
Backset	"M"
31/32"	1.63"
24.6	41.4
1-1/8"	1.79"
28.6	45.5
1-1/2"	2.14"
38.1	54.36



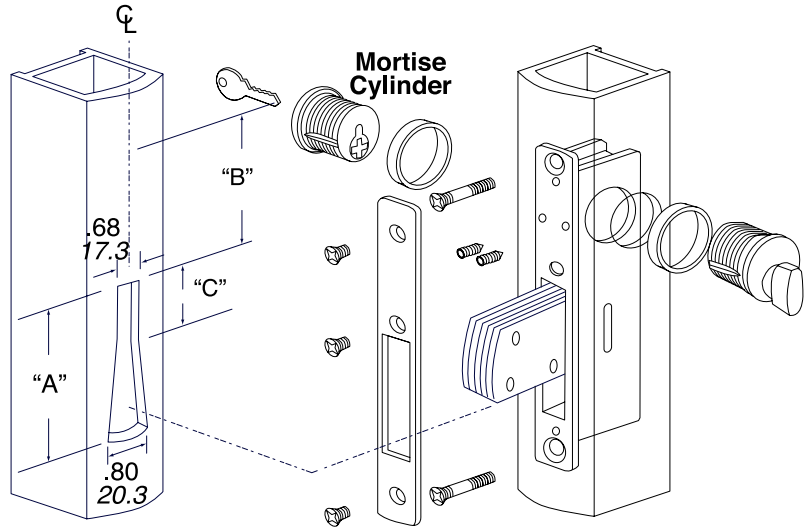
Cam Tolerance ± .005  
Tolerance ± .13

These locks are operable by any standard 1 1/2" diameter mortise cylinder with cam dimensions as shown.

### Stile Preparation



### Lock & Stile



### Stile

## How To Order Mortise Deadbolts & Hookbolts

# 185 - 2 - NH - Single

1	2	3	4
MODEL NO.	BACKSET	HANDING	PACKOUT
1 MODEL NO.	2 BACKSET	3 HANDING	4 PACKOUT
185 Deadbolt	2 31/32" (24.61mm)	NH No Hand	Single Individual Single Pack
HB185 Hookbolt	3 1" (28.58mm)		Bulk Bulk Pack
	4 1 1/2" (38.1mm)		