

LKM10K Push Pull Handle Type II Model featuring **Automatic Bolt Retraction**

Compliance & Certifications

Meets FF-L-2890C

GSA Approved

U.L. Fire Rated

NFPA 80 & 101 Life Safety

ADA (404.3) Automatic Door Section

Grade 1



Shown with Key Override Function

Push Pull Handle Model

Type II - Push Pull Existing Access Control Model
Requires an Automatic Door Operator*

The LockOne® Lock Series provides high security locking while offering automatic door operation. **The Automatic Bolt Retraction (ABR) meets section 404.3 of the Americans with Disabilities Act (ADA) and allows for hands-free operation of the the LKM10K.** This device is compatible with any high security combination lock meeting FF-L-2740B, and with all 24Vdc building access control systems. All LKM10K Models' life safety and security features meet FF-L-2890C. The combination lock represents the first level of security. The access control device represents the second level of security and can initiate the automatic door operator. The Push Pull Model includes an optional Key Override Function, which can override the access control device in the event of a power failure or malfunction.

ABR FEATURES

Touchless Operation - By integrating an automatic door operator (not included) with a variety of push plate or wave switches the door is now completely automatic. Note, the FF-L-2740B combination lock must be unlocked (bolt is retracted).

Door Applications - Ideal for use with heavy specialty STC/RF doors.

SECURITY

Combination Lock is Unlocked (bolt is retracted) - the LKM10K and the ABR motor are fully enabled to automatically retract the dead bolt from the strike.

Combination Lock is Locked (bolt is extended) - the LKM10K is mechanically blocked and the ABR motor is disabled for longevity of the ABR motor.

BENEFITS

Interchangeable - You can install the LockOne™ Lock Series in your facility to maintain a consistent look as the exterior trim has not changed.

Retrofittable - Remove the existing LKM10K inside base plate and replace with the LKM10K ABR base plate.

Internal Raceway - If an internal raceway is not available we offer our optional Surface Mounted Wiring Kit.

Field Tested - The LKM10K ABR version was field tested with a variety of heavy duty, low energy door operators.

Key Override Option - Key Override is standard on all LKM10K models. However, it is optional to utilize, so it can be added with little effort at a later date if necessary. Key Override allows a key to "override" the access control device only. It will not override the combination lock. This capability is particularly important during the event of power outage, failure or malfunction of an access control device, or an emergency that requires expedited entry.

Note: Cylinder not included

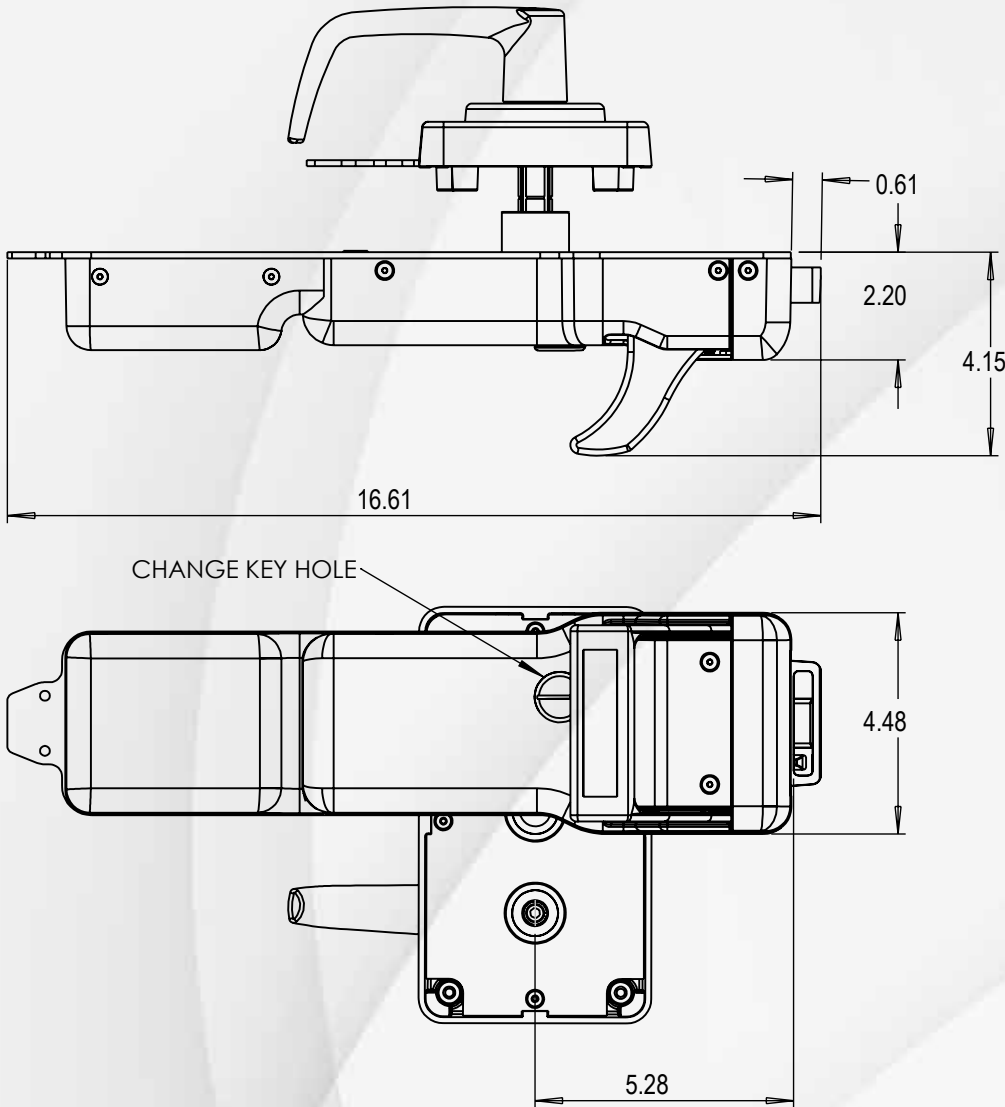
**The Most Commonly Used SCIF Lock
Is NOW Hands-Free!**

LKM10K™
High Security Life Safety Exit Device

Push Pull Model Interior Base Plate

GSA APPROVED

Type II - Push Pull Existing Access Control Model



Specifications

Materials

Lock Housing - Stainless Steel
Finish - Stainless Steel & Black Powder Coat

Stainless Steel Deadbolt

Deadlocking, 7/16" throw
Encapsulated

Lock

Supplied with your choice of lock meeting
FF-L-2740B

Fire Rating

All LKM10K models are UL Listed. 90 minute rating when installed with a Kaba Mas X-10 combination lock & 20 minute rating when installed with a S&G 2740B. This rating is in accordance with the Standard, "Positive Pressure Fire Test of Door Assemblies", ANSI/UL 10C, UBC 7-2 (1997).

Door Thickness

Minimum 1-1/8" - 2"; Maximum 2 5/8"
Spindle extension available for 3" doors

Door Types

Single or Double opening
Inswing or Outswing
Hollow Metal or Wood
Metal or Wood Frames

Handing

Non-handed

Monitoring Switches

Deadbolt Switch - monitors the Pedestrian Device Bolt (Request to Exit - REX)
Combination Lock Switch - monitors the FF-L-2740B Combination Lock Bolt
Entry Monitoring Switch - monitors the Lever Handle

Access Control

Requires 24 volts Vdc - requires 1 amp

Key Override Cylinder

Accepts 1-1/8" rim cylinder
Horizontal tailpiece orientation
Cylinder NOT included

Strike Test

A 6,000 lb force was applied to each type of strike in the direction of the door swing.

Warranty

2 years from date of manufacture

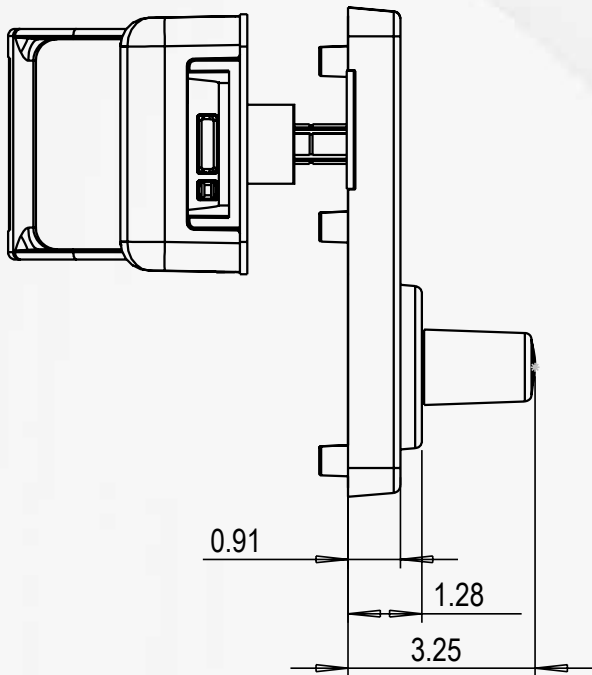
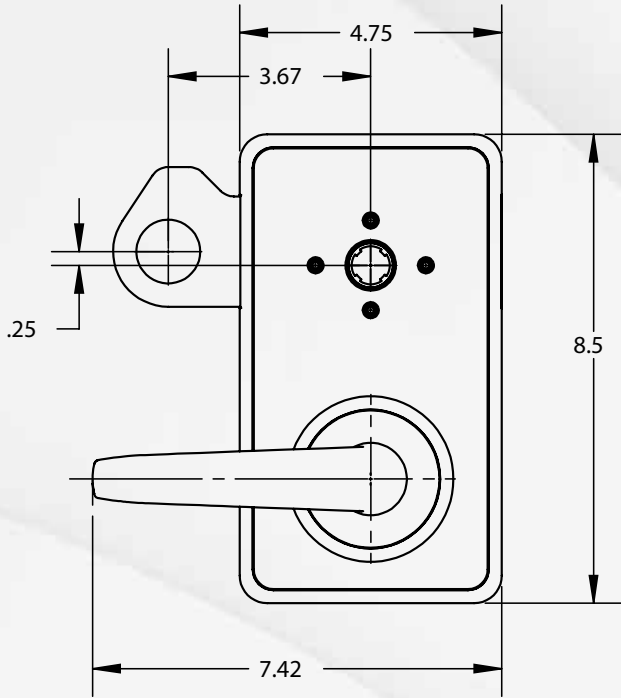
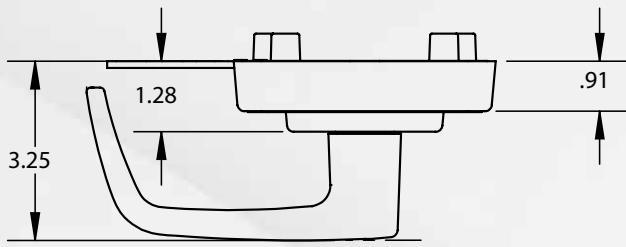


Scan to see
a video

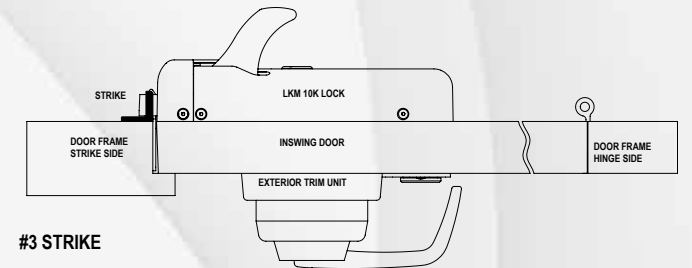
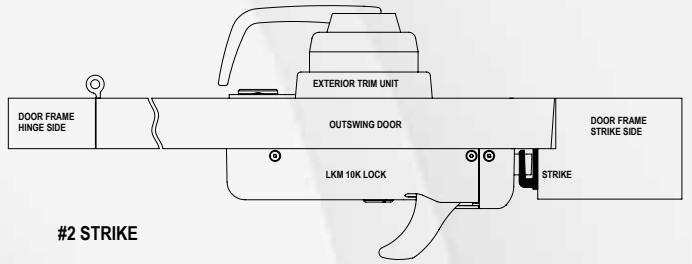
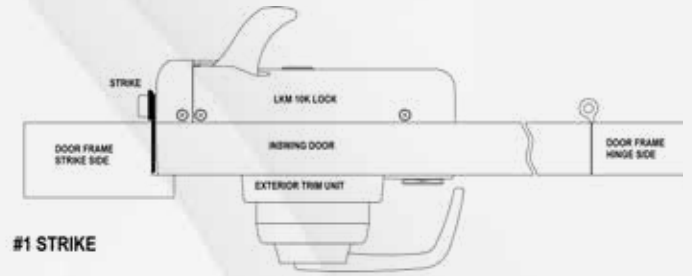
Providing **Life Safety**
and **High Security**

LKM10K[™]
High Security Life Safety Exit Device

Exterior Trim with Fire Rated Key Override Installed



Exclusive Adjustable Stainless Steel Strikes



Push Pull Models Part Numbers - Types II

Part Number	Type/Model	Door Application	Lock Options	Access Control	Strike Options	List Price
Type II - For Use with integrated Access Control						
LKM10KHX10ABRS1	Type II - Push Pull Handle	Primary Door For Use with Inswing Door	Kaba Mas X-10	Existing	1	\$9,136.82
LKM10KHX10ABRS2	Type II - Push Pull Handle	Primary Door For Use with Outswing Door	Kaba Mas X-10	Existing	2	\$9,136.82
LKM10KHX10ABRS3	Type II - Push Pull Handle	Primary Door For Use with Inswing Metal Frame Door	Kaba Mas X-10	Existing	3	\$9,136.82
LKM10KHX10ABRS9	Type II - Push Pull Handle	Primary Door For Use with Pair of Doors	Kaba Mas X-10	Existing	9	\$9,136.82
LKM10K2740ABRS1	Type II - Push Pull Handle	Primary Door For Use with Inswing Door	S&G 2740B	Existing	1	\$9,136.82
LKM10K2740ABRS2	Type II - Push Pull Handle	Primary Door For Use with Outswing Door	S&G 2740B	Existing	2	\$9,136.82
LKM10K2740ABRS3	Type II - Push Pull Handle	Primary Door For Use with Inswing Metal Frame Door	S&G 2740B	Existing	3	\$9,136.82
LKM10K2740ABRS9	Type II - Push Pull Handle	Primary Door For Use with Pair of Doors	S&G 2740B	Existing	9	\$9,136.82